

# SMC 6 and SMC 6plus

Economical centrifuges for routine use

**NEW!**



## SMC 6 & SMC 6plus

- Optimum horizontal separation thanks to swing-out rotor
- Simple operation and quick loading
- High quality and low maintenance
- SMC 6plus features urine setting

Optimum horizontal separation thanks to swing-out rotor

The SMC 6 and SMC 6plus centrifuges have been designed especially for use in medical practices or small laboratories and are suitable for all standard sample tubes up to a maximum filling volume of 10 ml and maximum diameter of 17 mm. They can be used to form a reliable gel barrier in serum or plasma tubes for sample stability.

Centrifugation with swing-out rotor

- Thick and stable separating layer
- Yields more sample material for analyzers



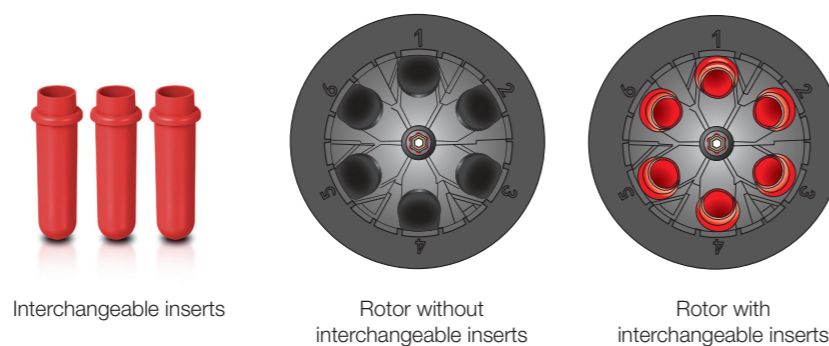
Centrifugation with fixed-angle rotor

- Thin and unstable separating layer
- Yields less sample material for analyzers

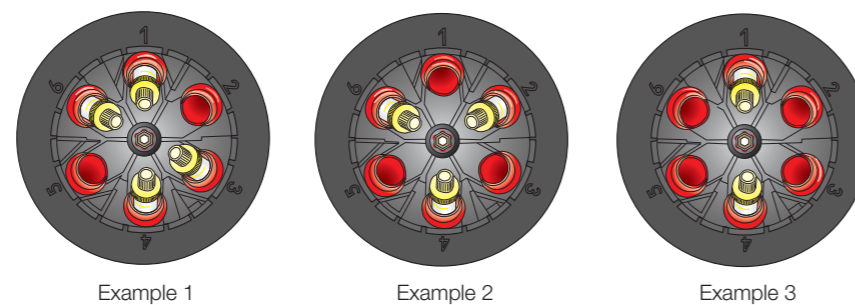


Straightforward and intuitive loading of centrifugation inserts

The interchangeable inserts, like the rotor, can be easily removed and reattached for cleaning.

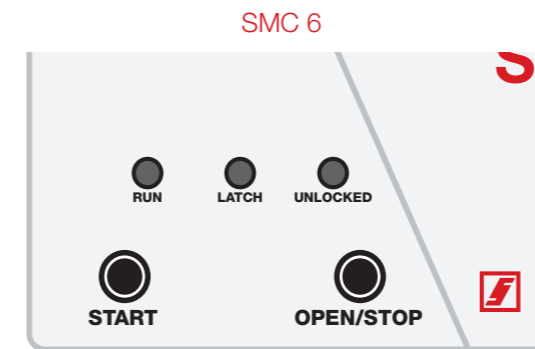


Balancing can be carried out in either way.

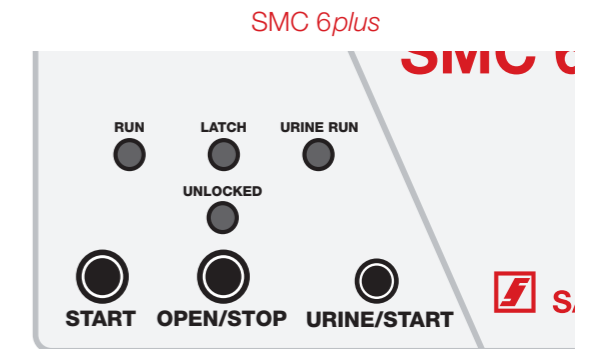


Simple operation

As operation is incredibly simple using just two or three buttons, operating errors and unintentional adjustment of speed and time can be avoided.



The SMC 6 has two buttons and three status lights.



The SMC 6plus has three buttons and four status lights.

Centrifugation programs with timer function

For convenient operation, the SMC 6 offers a preset program which lasts 15 minutes and has a centrifugation acceleration of 2,016 x g for the centrifugation of serum gel samples. The centrifugation time can be extended by 5 minutes for the centrifugation of plasma gel samples.

SMC 6plus with urine setting

The SMC 6plus comes with a second preset centrifugation option for spinning urine. In this program, urine samples are centrifuged at just 400 x g for 5 minutes for complete sedimentation.



## High quality with low maintenance

- Brush-free, and therefore maintenance-free, electric motor
- Low energy and power input



### Technical data

		SMC 6	SMC 6plus
Blood	RPM	3,800 min <sup>-1</sup>	3,800 min <sup>-1</sup>
	RCF with tube holder 100 mm	2,016 x g	2,016 x g
	Timer	1 to 30 minutes	1 to 30 minutes
	Preset duration	15 minutes	15 minutes
Urine	RPM	-	1,800 min <sup>-1</sup>
	RCF with tube holder 100 mm	-	400 x g
	Timer	-	1 to 30 minutes
	Preset duration	-	5 minutes
Kinetic energy		< 10,000 Nm	
Power Input		< 500 W	
Rotor		6 x single swing-out rotor (6 tubes)	
Dimensions		22 x 30 x 35 cm	
Weight		Approx. 5.5 kg	

### Ordering information

Order number	Description
90.184.561	Centrifuge SMC 6, 115 V with 6-position swing-out rotor, 6 tube holders up to 100 mm, 6 tube holders up to 75 mm
90.184.661	Centrifuge SMC 6plus, 115 V with 6-position swing-out rotor, 6 tube holders up to 100 mm, 6 caps for tube holders, additional centrifugation program with low acceleration for urine analysis
92.184.551	Tube holder SMC 6 for 100 mm, x 1
92.184.552	Tube holder SMC 6 for 75 mm, x 1
92.184.553	Rubber adapter SMC 6, 1 inch, x 6
92.184.554	Rubber adapter SMC 6, 0.25 inch, x 6
92.184.555	Cap for tube holder SMC 6, x 1



SARSTEDT AG & Co.  
P.O. Box 12 20  
D-51582 Nümbrecht  
Phone +49 2293 305-0  
Fax +49 2293 305-3992  
export@sarstedt.com  
www.sarstedt.com